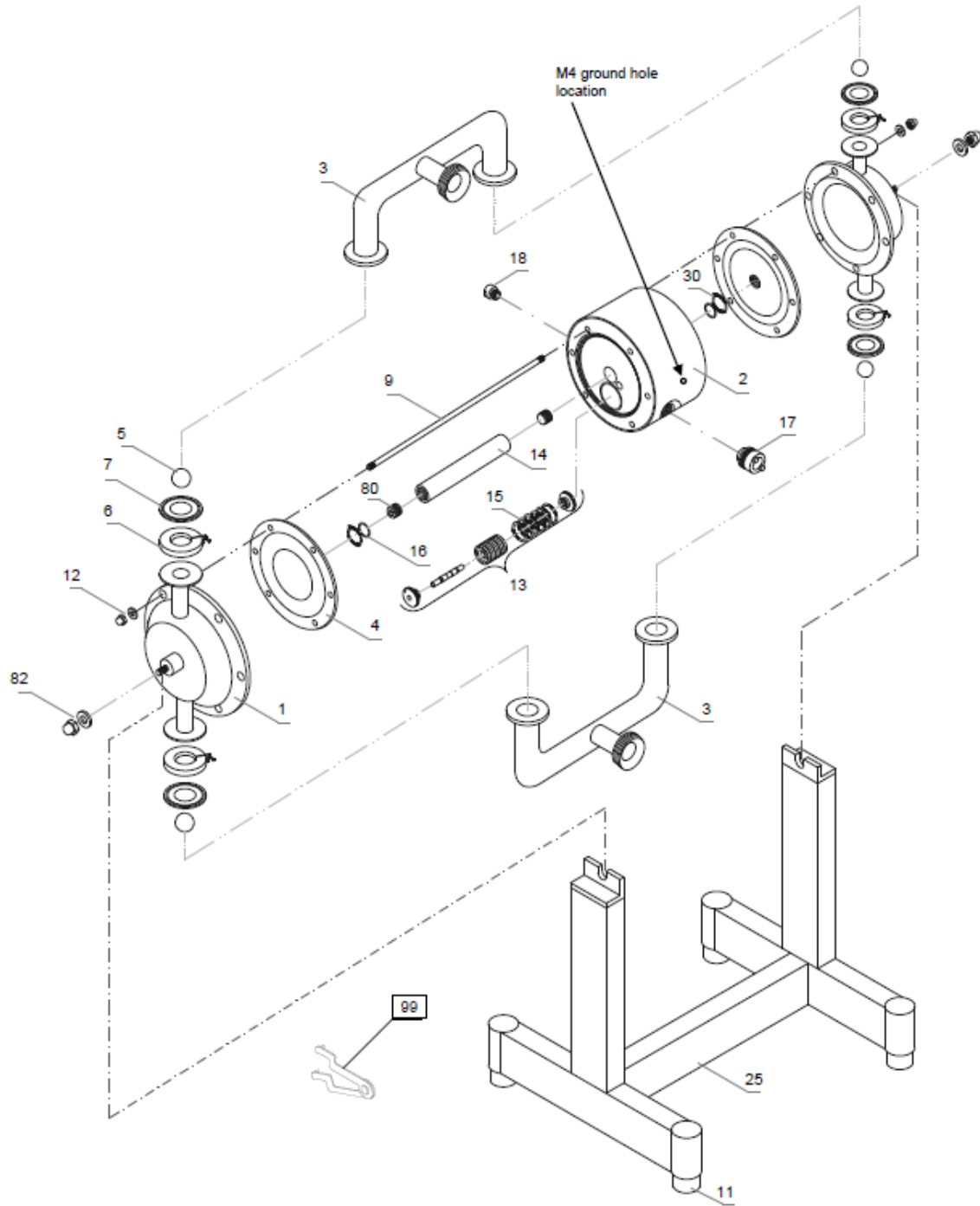


5.2. DM 25/75, DM 40/125



Spare parts list for DM 25/75 and DM 40/125 pumps

| | | | MATERIAL | DM 25/75 | DM 40/125 |
|-----|----|--------------------------------|-----------------|-----------------|------------------|
| 1. | 2 | Pump housing | AISI 316 L | 4 25 01 53 | 4 40 01 53 |
| 2. | 1 | Center housing | PE | 1 15 10 20 | 1 25 10 20 |
| | | | PE conductive | 1 15 10 21 | 1 25 10 21 |
| 3. | 2 | Manifold inlet DIN | AISI 316 L | 4 25 30 53 | 4 40 30 53 |
| | | Manifold inlet SMS | AISI 316 L | 4 25 31 53 | 4 40 31 53 |
| | | Manifold inlet TC | AISI 316 L | 4 25 32 53 | 4 40 32 53 |
| | | Manifold inlet RJT | AISI 316 L | 4 25 37 53 | 4 40 37 53 |
| | | Manifold outlet DIN | AISI 316 L | 4 25 33 53 | 4 40 33 53 |
| | | Manifold outlet SMS | AISI 316 L | 4 25 34 53 | 4 40 34 53 |
| | | Manifold outlet TC | AISI 316 L | 4 25 35 53 | 4 40 35 53 |
| | | Manifold outlet RJT | AISI 316 L | 4 25 137 53 | 4 40 137 53 |
| 4. | 2 | Diaphragm | TFM (PTFE) | 1 15 50 05 | 1 25 50 05 |
| | | | EPDM | 1 15 50 08 | 1 25 50 08 |
| | | | NBR | 1 15 50 10 | 1 25 50 10 |
| | | | EPDM/TFM/PFA | 1 15 50 00 | - |
| 5. | 4 | Valve balls | PTFE | 1 15 60 23 | 1 25 60 23 |
| | | | EPDM | 1 15 60 08 | 1 25 60 08 |
| | | | NBR | 1 15 60 10 | 1 25 60 10 |
| | | | AISI 316 | 1 15 60 52 | 1 25 60 52 |
| | | | Polyurethane | 1 15 60 07 | 1 25 60 07 |
| | | | Ceramic | 1 15 60 90 | 1 25 60 90 |
| 6. | 4 | Clamp | AISI 304 | 4 25 36 50 | 4 40 36 50 |
| 7. | 4 | Sealing | PTFE | 4 25 70 23 | 4 40 70 23 |
| | | | EPDM | 4 25 70 08 | 4 40 70 08 |
| | | | Silicone | 4 25 70 11 | 4 40 70 11 |
| | | | NBR | 4 25 70 10 | 4 40 70 10 |
| | | | FPM | 4 25 70 09 | 4 40 70 09 |
| 9. | 6 | Housing bolt | AISI 304 | 4 25 42 50 | 4 40 42 50 |
| 11. | 4 | Shock absorber | NR/SS | 1 15 69 52 | 1 15 69 52 |
| 12. | 12 | Nut with washer | AISI 304 | 1 15 45 50 | 1 25 45 50 |
| 13. | 1 | Air valve | PET/NBR | 1 15 020 31 | 1 15 020 31 |
| | | | PET/FPM | 1 15 020 32 | 1 15 020 32 |
| 14. | 1 | Shaft | AISI 304 | 1 15 40 50 | 1 25 40 50 |
| 15. | 6 | O-ring | NBR | 1 15 080 10 | 1 15 080 10 |
| | | | FPM | 1 15 080 09 | 1 15 080 09 |
| 16. | 2 | Center housing seal | PE | 1 15 85 22 | 1 25 85 22 |
| 17. | 1 | Muffler | PE porous | 1 15 99 35 | 1 15 99 35 |
| | | | PE porous | 1 15 499 35 | 1 15 499 35 |
| | | | BZ | 1 15 99 88 | 1 15 99 88 |
| | | | BZ | 1 15 499 88 | 1 15 499 88 |
| 18. | 1 | Air adapter | PP | 1 15 46 28 | 1 15 46 28 |
| 20. | 1 | Tube | PP | 4 25 96 28 | 4 40 96 28 |
| | | | AISI 316 L | 4 25 96 53 | 4 40 96 53 |
| 25. | 1 | Support | AISI 304 | 4 25 96 50 | 4 40 96 50 |
| 30. | 2 | O-ring for center housing seal | NBR | 1 15 85 10 | 1 25 85 10 |
| 35. | 1 | Center housing complete | PE | 1 15 11 20 | 1 25 11 20 |
| | | | PE conductive | 1 15 11 21 | 1 25 11 21 |
| 80. | 2 | Shaft allen pin screw | AISI 304 | 1 15 540 50 | 1 25 540 50 |
| 82. | 4 | Support nut | AISI 304 | 4 25 138 50 | 4 40 138 50 |
| 99. | 1 | Air valve key (SK4) | diverse | 1 08 58 00 | 1 08 58 00 |